

**PROPRIETARY AND CONFIDENTIAL**  
 THE INFORMATION CONTAINED IN THIS DRAWING IS THE SOLE PROPERTY OF <INSERT COMPANY NAME HERE>. ANY REPRODUCTION IN PART OR AS A WHOLE WITHOUT THE WRITTEN PERMISSION OF <INSERT COMPANY NAME HERE> IS PROHIBITED.

		UNLESS OTHERWISE SPECIFIED:		NAME	DATE	
		DIMENSIONS ARE IN INCHES				TITLE:
		TOLERANCES:				
		FRACTIONAL ±		DRAWN		
		ANGULAR: MACH ± BEND ±		CHECKED		
		TWO PLACE DECIMAL ±		ENG APPR.		
		THREE PLACE DECIMAL ±		MFG APPR.		
		INTERPRET GEOMETRIC TOLERANCING PER:		Q.A.		
		MATERIAL		COMMENTS:		
		FINISH				SIZE DWG. NO. REV
NEXT ASSY	USED ON					<b>A</b> 2015
APPLICATION		DO NOT SCALE DRAWING				SCALE: 1:48 WEIGHT: SHEET 1 OF 5

ITEM NO.	PART NUMBER	DESCRIPTION	QTY.
1	Particle Board 4' x 4' x 3/8" thick	or similar - can be cut from two 4' x 8' sheets	4
2	FRP 4' x 4'	White, Lowes Item # 8566 - can be cut from two 4' x 8' sheets	4
3	FRP Divider 48" long	White - can be cut from one 8' long part	2
4	PVC Elbow	1" SCH 40	12
5	PVC T Connector	1" SCH 40	28
6	40.500 inch PVC	1" ID SCH 40	4
7	38.500 inch PVC	1" ID SCH 40	6
8	15.500 inch PVC	1" ID SCH 40	4
9	13.500 inch PVC	1" ID SCH 40	2
10	12.500 inch PVC	1" ID SCH 40	14
11	10.000 inch PVC	1" ID SCH 40	12
12	09.250 inch PVC	1" ID SCH 40	2
13	07.500 inch PVC	1" ID SCH 40	4
14	05.375 inch PVC	1" ID SCH 40	4
15	04.750 inch PVC	1" ID SCH 40	4
16	04.000 inch PVC	1" ID SCH 40	4
17	41 inch x 12 inch Plywood	from 48" x 48" x 1/4" thick sheet	2

**PROPRIETARY AND CONFIDENTIAL**  
 THE INFORMATION CONTAINED IN THIS DRAWING IS THE SOLE PROPERTY OF <INSERT COMPANY NAME HERE>. ANY REPRODUCTION IN PART OR AS A WHOLE WITHOUT THE WRITTEN PERMISSION OF <INSERT COMPANY NAME HERE> IS PROHIBITED.

		UNLESS OTHERWISE SPECIFIED:	NAME	DATE	
		DIMENSIONS ARE IN INCHES	DRAWN		TITLE:
		TOLERANCES:	CHECKED		
		FRACTIONAL ±	ENG APPR.		
		ANGULAR: MACH ± BEND ±	MFG APPR.		
		TWO PLACE DECIMAL ±	Q.A.		
		THREE PLACE DECIMAL ±	COMMENTS:		
		INTERPRET GEOMETRIC TOLERANCING PER:			SIZE DWG. NO. REV
		MATERIAL			<b>A</b> <b>2015</b>
NEXT ASSY	USED ON	FINISH			SCALE: 1:48 WEIGHT: SHEET 2 OF 5
	APPLICATION	DO NOT SCALE DRAWING			

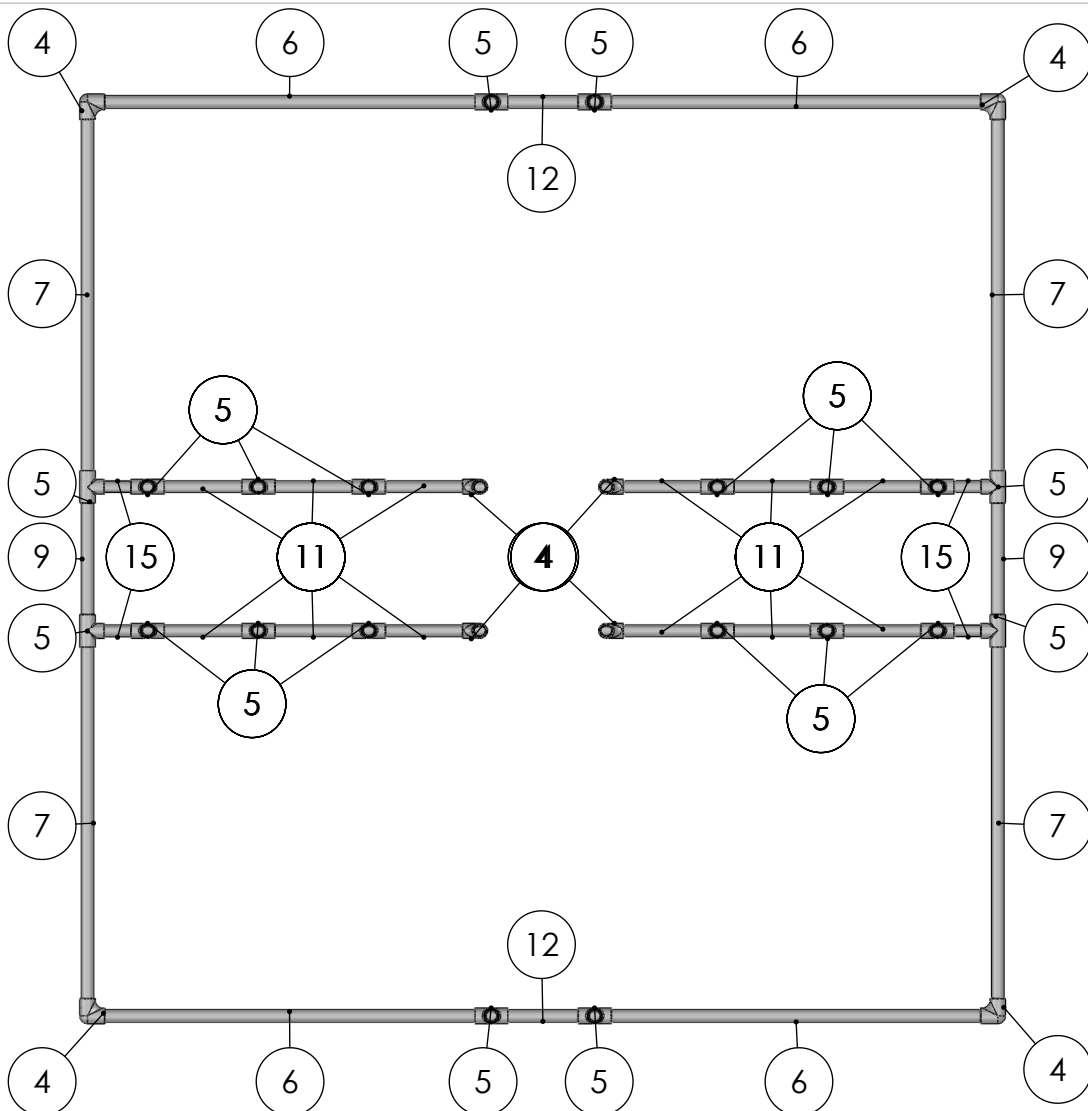
5

4

3

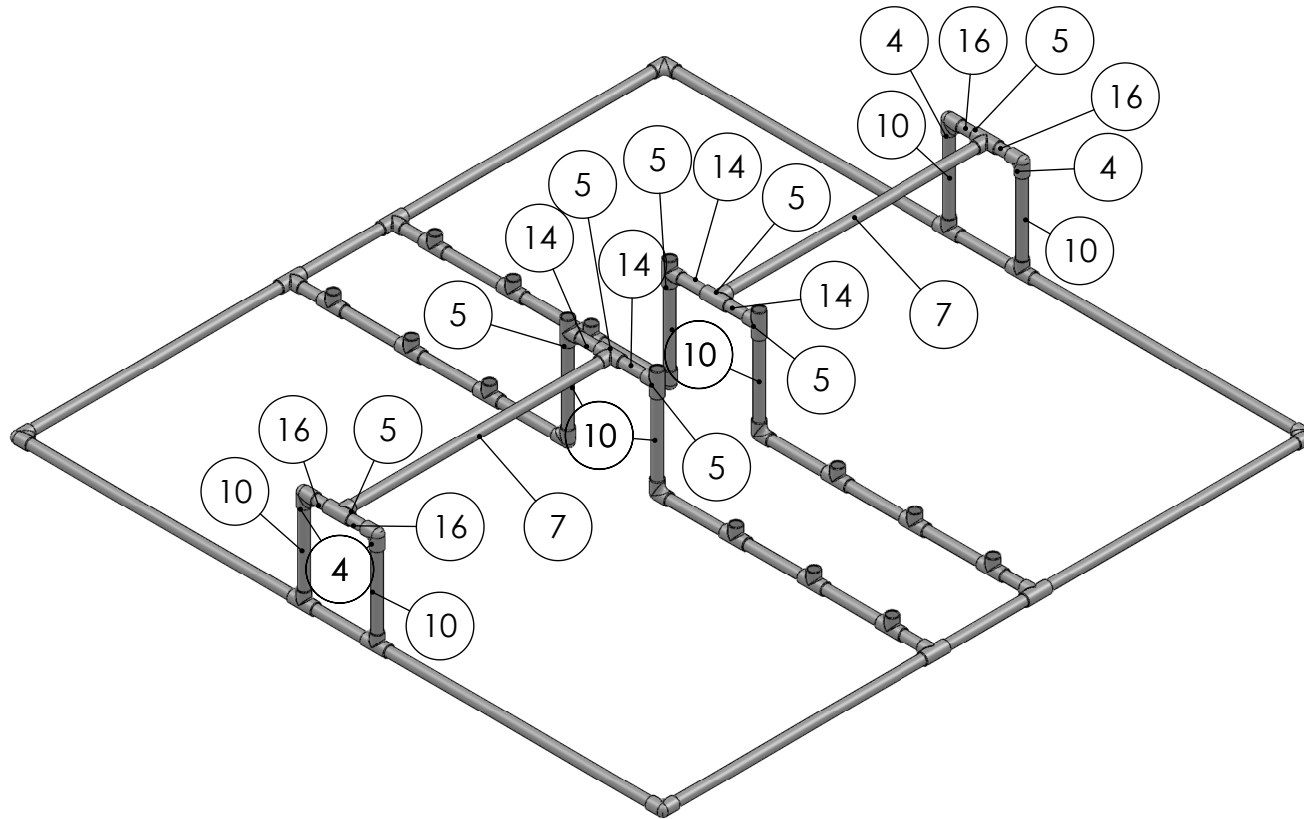
2

1



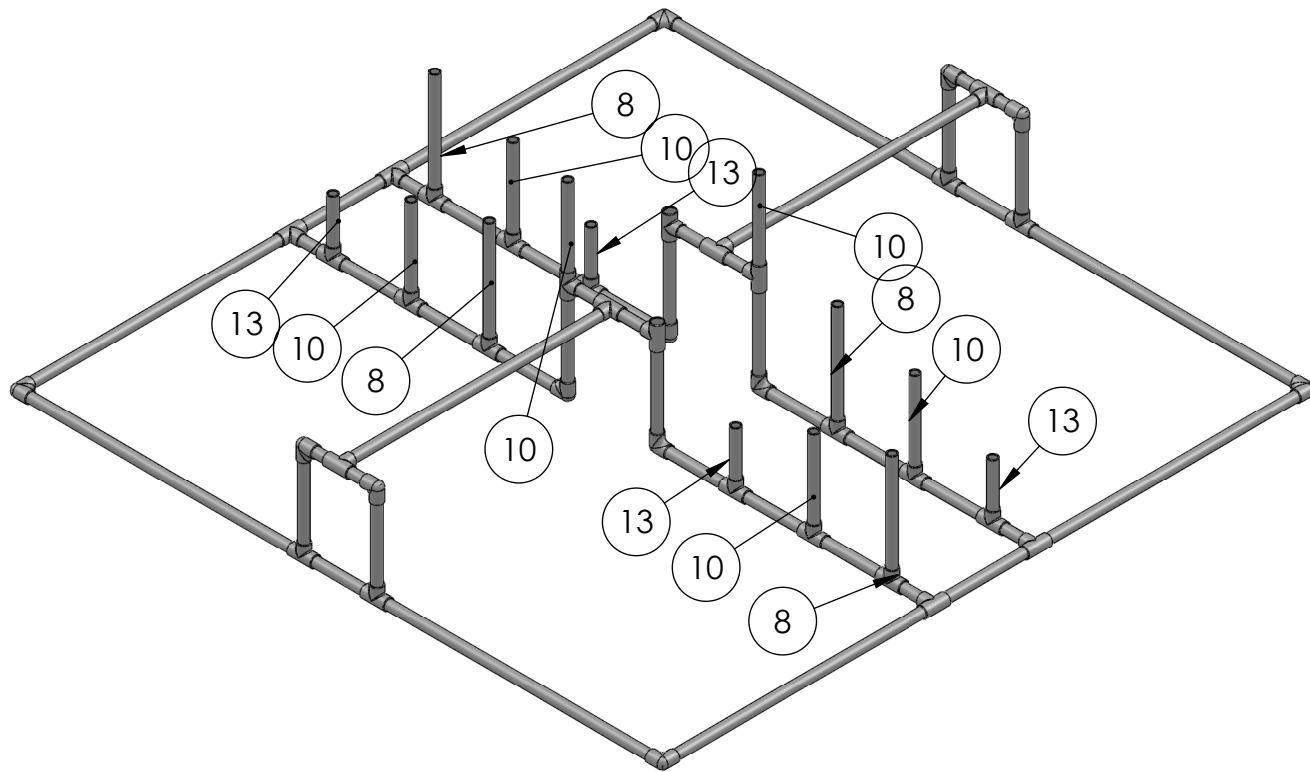
**PROPRIETARY AND CONFIDENTIAL**  
 THE INFORMATION CONTAINED IN THIS DRAWING IS THE SOLE PROPERTY OF <INSERT COMPANY NAME HERE>. ANY REPRODUCTION IN PART OR AS A WHOLE WITHOUT THE WRITTEN PERMISSION OF <INSERT COMPANY NAME HERE> IS PROHIBITED.

		UNLESS OTHERWISE SPECIFIED:	NAME	DATE	
		DIMENSIONS ARE IN INCHES	DRAWN		TITLE:
		TOLERANCES:	CHECKED		
		FRACTIONAL ±	ENG APPR.		
		ANGULAR: MACH ± BEND ±	MFG APPR.		
		TWO PLACE DECIMAL ±	Q.A.		
		THREE PLACE DECIMAL ±	COMMENTS:		
		INTERPRET GEOMETRIC TOLERANCING PER:			SIZE DWG. NO. REV
		MATERIAL			<b>A</b> 2015
NEXT ASSY	USED ON	FINISH			SCALE: 1:48 WEIGHT: SHEET 3 OF 5
APPLICATION		DO NOT SCALE DRAWING			



**PROPRIETARY AND CONFIDENTIAL**  
 THE INFORMATION CONTAINED IN THIS DRAWING IS THE SOLE PROPERTY OF <INSERT COMPANY NAME HERE>. ANY REPRODUCTION IN PART OR AS A WHOLE WITHOUT THE WRITTEN PERMISSION OF <INSERT COMPANY NAME HERE> IS PROHIBITED.

		UNLESS OTHERWISE SPECIFIED:		NAME	DATE	
		DIMENSIONS ARE IN INCHES				TITLE:
		TOLERANCES:				
		FRACTIONAL ±				
		ANGULAR: MACH ± BEND ±				
		TWO PLACE DECIMAL ±				
		THREE PLACE DECIMAL ±				
		INTERPRET GEOMETRIC TOLERANCING PER:				
		MATERIAL				
		FINISH				
NEXT ASSY	USED ON					
APPLICATION		DO NOT SCALE DRAWING				
						SIZE DWG. NO. REV
						<b>A</b> 2015
						SCALE: 1:48 WEIGHT: SHEET 4 OF 5



**PROPRIETARY AND CONFIDENTIAL**  
 THE INFORMATION CONTAINED IN THIS DRAWING IS THE SOLE PROPERTY OF <INSERT COMPANY NAME HERE>. ANY REPRODUCTION IN PART OR AS A WHOLE WITHOUT THE WRITTEN PERMISSION OF <INSERT COMPANY NAME HERE> IS PROHIBITED.

		UNLESS OTHERWISE SPECIFIED:		NAME	DATE	
		DIMENSIONS ARE IN INCHES		DRAWN		TITLE:
		TOLERANCES:		CHECKED		
		FRACTIONAL ±		ENG APPR.		
		ANGULAR: MACH ± BEND ±		MFG APPR.		
		TWO PLACE DECIMAL ±		Q.A.		
		THREE PLACE DECIMAL ±		COMMENTS:		
		INTERPRET GEOMETRIC TOLERANCING PER:				SIZE DWG. NO. REV
		MATERIAL				<b>A</b> 2015
NEXT ASSY	USED ON	FINISH				SCALE: 1:48 WEIGHT: SHEET 5 OF 5
APPLICATION		DO NOT SCALE DRAWING				