

ITEM NO.	PART NUMBER	DESCRIPTION	QTY.
1	Particle Board 4' x 4' x 3/8" thick	or similar - can be cut from two 4' x 8' sheets	4
2	FRP 4' x 4'	White, Lowes Item # 8566 - can be cut from two 4' x 8' sheets	4
3	FRP Divider 48" long	White - can be cut from one 8' long part	2
4-12	1" PVC (1" ID SCH 40)	10' long sections	6
13	3" PVC (3" ID - 3.5" OD)	1 foot long section	1
14	4" PVC (4" ID - 4.5" OD)	1 foot long section	1
15	PVC Elbow	1" SCH 40	22
16	PVC T Connector	1" SCH 40	26
17	Yellow duct tape	Duck brand - Sunburst Yellow - SKU# 7535303701	1 Roll
18	Black duct tape	Duck brand - Midnight Madness - SKU# 7535303505	1 Roll
19	Orange duct tape	Duck brand - Blaze Orange - SKU# 7535303511	1 Roll
20	Green duct tape	Duck brand - Island Lime - SKU# 7535303510	1 Roll
21	Pink duct tape	Duck brand - Funky Flamingo - SKU# 7535303509	1 Roll
22	White duct tape	Duck brand - Winking White - SKU# 7535303507	1 Roll
34	Plywood	24" x 24" x 1/4" thick	1

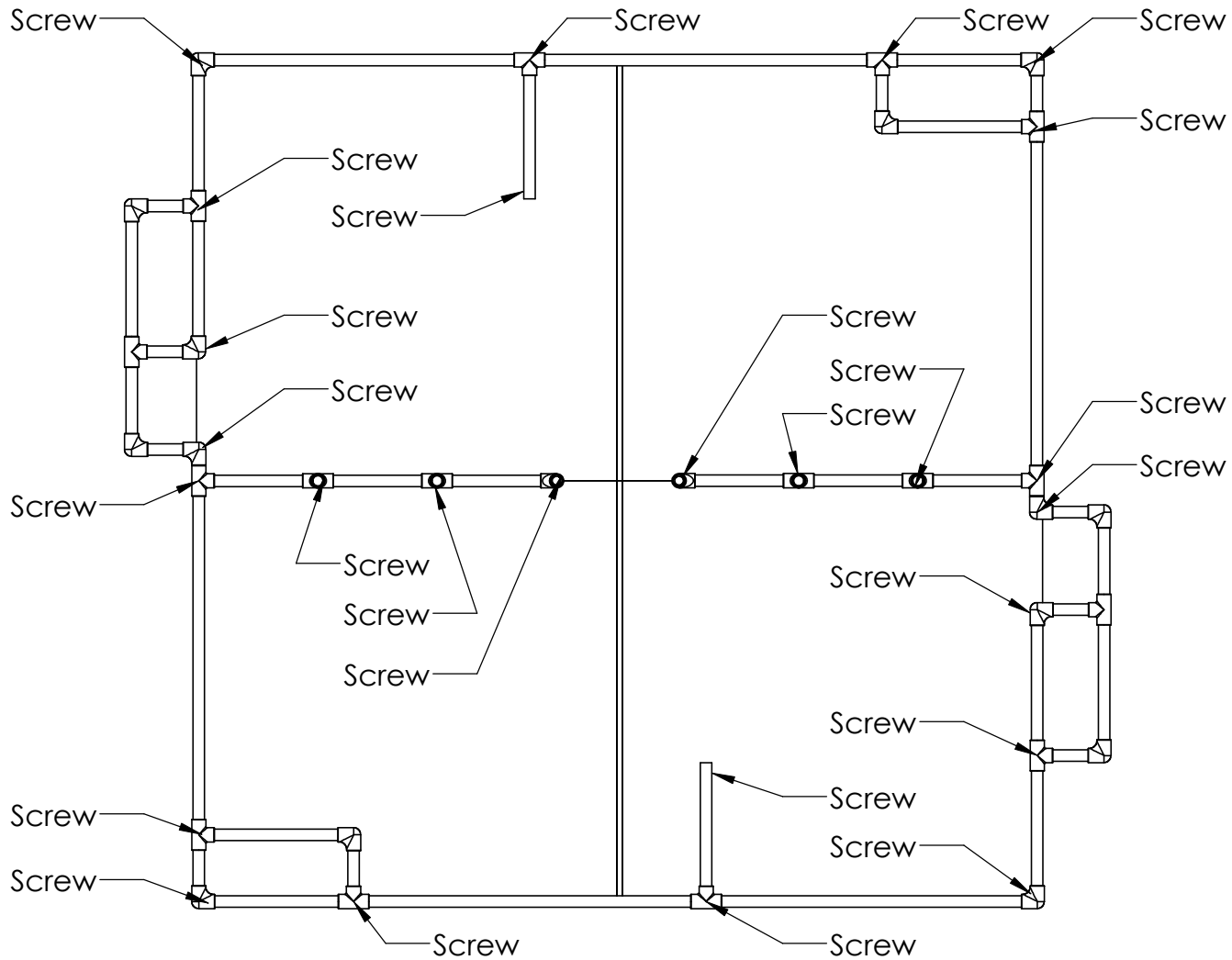
PROPRIETARY AND CONFIDENTIAL
 THE INFORMATION CONTAINED IN THIS DRAWING IS THE SOLE PROPERTY OF <INSERT COMPANY NAME HERE>. ANY REPRODUCTION IN PART OR AS A WHOLE WITHOUT THE WRITTEN PERMISSION OF

		UNLESS OTHERWISE SPECIFIED:		NAME	DATE	TITLE: <h1>Buy List</h1>		
		DIMENSIONS ARE IN INCHES TOLERANCES: FRACTIONAL ± ANGULAR: MACH ± BEND ± TWO PLACE DECIMAL ± THREE PLACE DECIMAL ±	DRAWN					
			CHECKED					
			ENG APPR.					
			MFG APPR.					
		INTERPRET GEOMETRIC TOLERANCING PER:	Q.A.			SIZE DWG. NO. REV A 2014 BB		
		MATERIAL	COMMENTS:					
NEXT ASSY	USED ON	FINISH				SCALE: 1:48	WEIGHT:	SHEET 1 OF 11

ITEM NO.	PART NUMBER	DESCRIPTION	QTY.
1	Particle Board 4' x 4' x 3/8" thick	or similar - can be cut from two 4' x 8' sheets	4
2	FRP 4' x 4'	White, Lowes Item # 8566 - can be cut from two 4' x 8' sheets	4
3	FRP Divider 48" long	White - can be cut from one 8' long part	2
4	01.50 inch pvc	1" ID SCH 40	6
5	06.00 inch pvc	1" ID SCH 40	18
6	09.50 inch pvc	1" ID SCH 40	2
7	11.00 inch pvc	1" ID SCH 40	4
8	12.00 inch pvc	1" ID SCH 40	10
9	15.00 inch pvc	1" ID SCH 40	8
10	16.00 inch pvc	1" ID SCH 40	4
11	36.00 inch pvc	1" ID SCH 40	2
12	38.50 inch pvc	1" ID SCH 40	4
13	05.00 inch pvc	3" PVC (3" ID - 3.5" OD)	2
14	06.00 inch pvc	4" PVC (4" ID - 4.5" OD)	2
36	Plywood	24" x 24" x 1/4" thick	6

PROPRIETARY AND CONFIDENTIAL
 THE INFORMATION CONTAINED IN THIS DRAWING IS THE SOLE PROPERTY OF <INSERT COMPANY NAME HERE>. ANY REPRODUCTION IN PART OR AS A WHOLE WITHOUT THE WRITTEN PERMISSION OF

		UNLESS OTHERWISE SPECIFIED:		NAME	DATE	TITLE: PVC Cut List
		DIMENSIONS ARE IN INCHES TOLERANCES: FRACTIONAL ± ANGULAR: MACH ± BEND ± TWO PLACE DECIMAL ± THREE PLACE DECIMAL ±	DRAWN			
			CHECKED			
			ENG APPR.			
			MFG APPR.			
		INTERPRET GEOMETRIC TOLERANCING PER:	Q.A.			SIZE DWG. NO. REV A 2014 BB
		MATERIAL	COMMENTS:			
NEXT ASSY	USED ON	FINISH				
APPLICATION		DO NOT SCALE DRAWING				SCALE: 1:48 WEIGHT: SHEET 2 OF 11



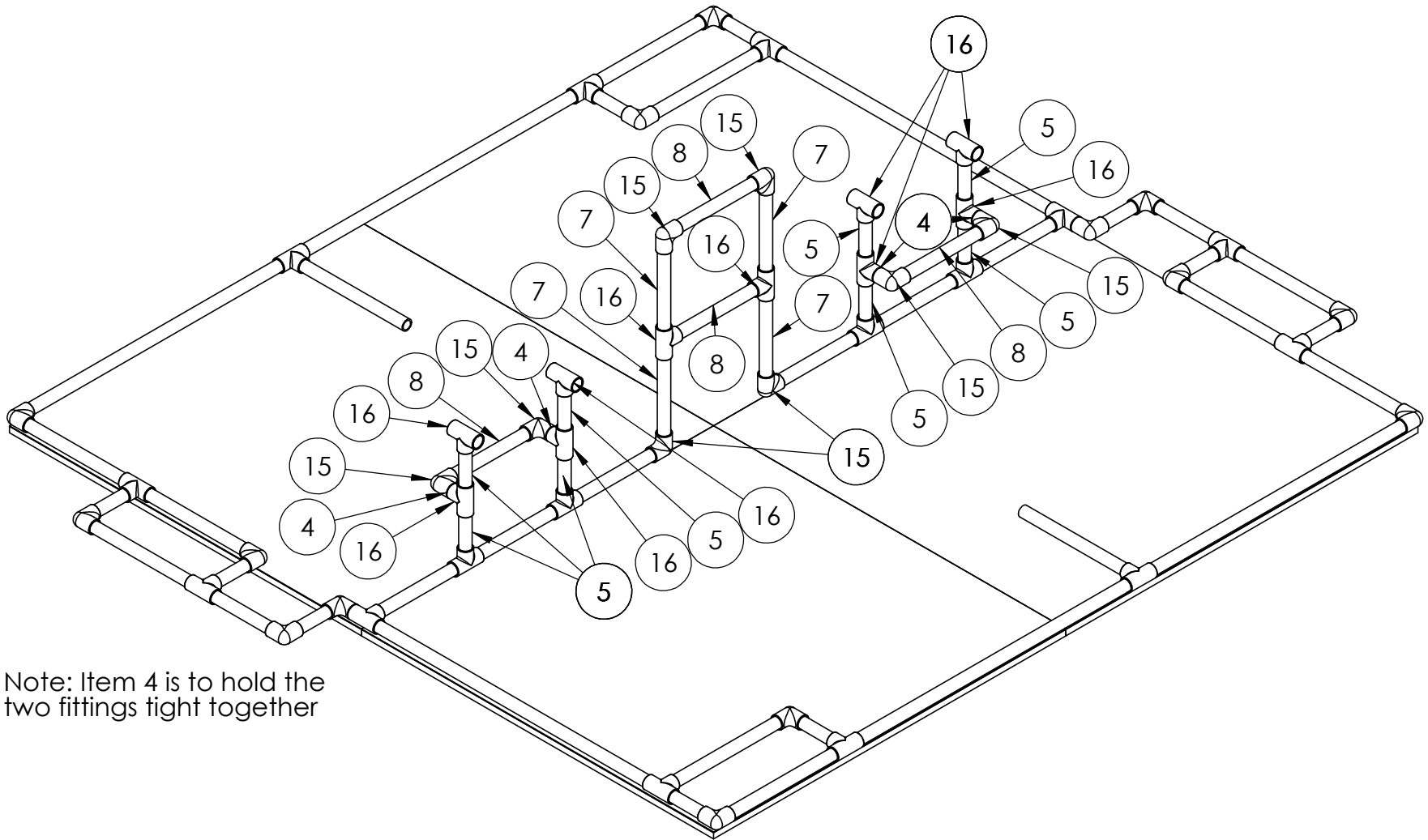
PROPRIETARY AND CONFIDENTIAL
 THE INFORMATION CONTAINED IN THIS DRAWING IS THE SOLE PROPERTY OF <INSERT COMPANY NAME HERE>. ANY REPRODUCTION IN PART OR AS A WHOLE WITHOUT THE WRITTEN PERMISSION OF

		UNLESS OTHERWISE SPECIFIED:		NAME	DATE
		DIMENSIONS ARE IN INCHES	DRAWN		
		TOLERANCES:	CHECKED		
		FRACTIONAL ±	ENG APPR.		
		ANGULAR: MACH ± BEND ±	MFG APPR.		
		TWO PLACE DECIMAL ±	Q.A.		
		THREE PLACE DECIMAL ±	COMMENTS:		
		INTERPRET GEOMETRIC TOLERANCING PER:			
		MATERIAL			
		FINISH			
NEXT ASSY	USED ON				
APPLICATION	DO NOT SCALE DRAWING				

TITLE:
Screw Locations

SIZE	DWG. NO.	REV
A	2014 PVC	

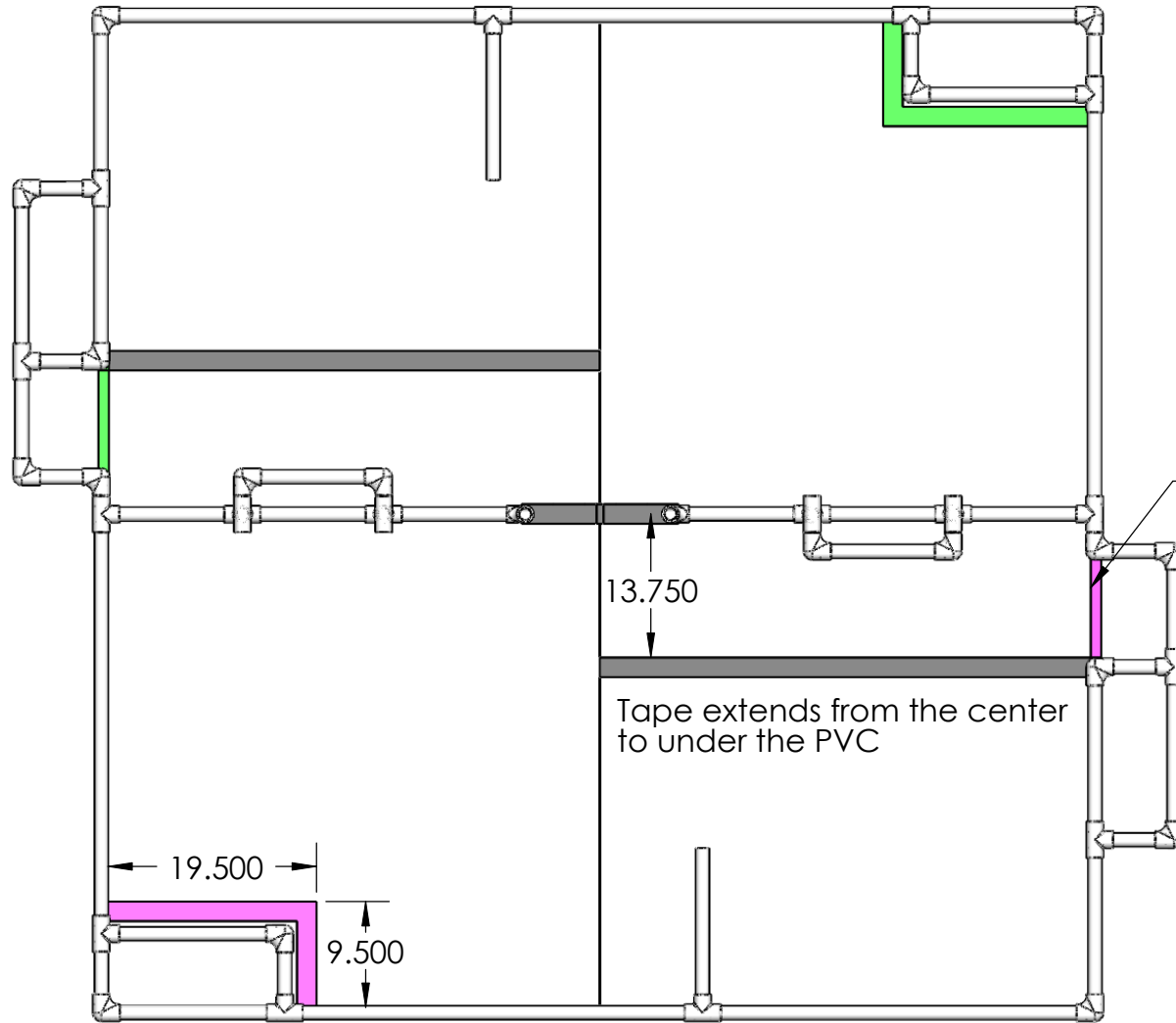
SCALE: 1:48	WEIGHT:	SHEET 4 OF 11
-------------	---------	---------------



Note: Item 4 is to hold the two fittings tight together

PROPRIETARY AND CONFIDENTIAL
 THE INFORMATION CONTAINED IN THIS DRAWING IS THE SOLE PROPERTY OF <INSERT COMPANY NAME HERE>. ANY REPRODUCTION IN PART OR AS A WHOLE WITHOUT THE WRITTEN PERMISSION OF

		UNLESS OTHERWISE SPECIFIED:		NAME	DATE	TITLE: Top PVC					
		DIMENSIONS ARE IN INCHES	DRAWN						SIZE	DWG. NO.	REV
		TOLERANCES: FRACTIONAL ±	CHECKED						A	2014 PVC	
		ANGULAR: MACH ± BEND ±	ENG APPR.								
		TWO PLACE DECIMAL ±	MFG APPR.			SCALE: 1:48 WEIGHT: SHEET 5 OF 11					
		THREE PLACE DECIMAL ±	Q.A.								
		INTERPRET GEOMETRIC TOLERANCING PER:	COMMENTS:								
		MATERIAL									
		FINISH									
NEXT ASSY	USED ON										
APPLICATION		DO NOT SCALE DRAWING									



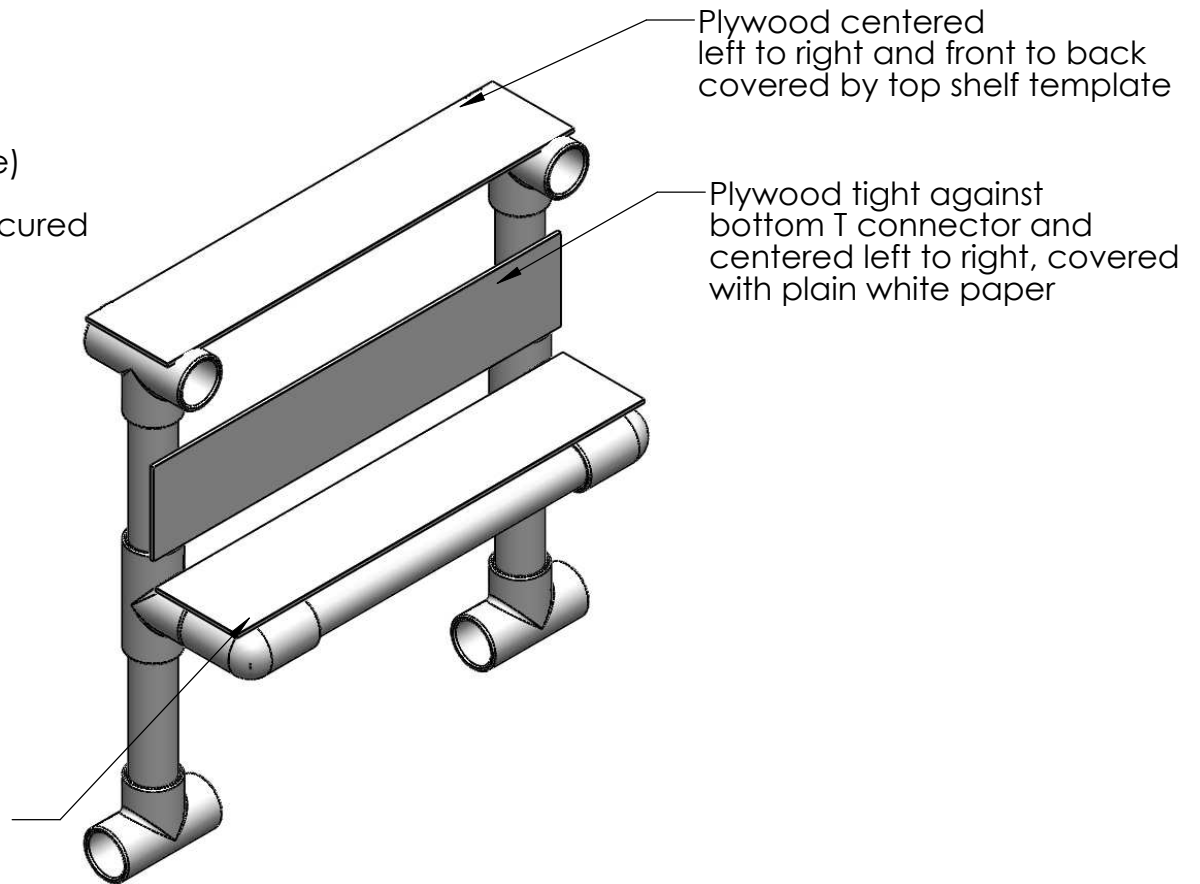
PROPRIETARY AND CONFIDENTIAL
 THE INFORMATION CONTAINED IN THIS DRAWING IS THE SOLE PROPERTY OF <INSERT COMPANY NAME HERE>. ANY REPRODUCTION IN PART OR AS A WHOLE WITHOUT THE WRITTEN PERMISSION OF

		UNLESS OTHERWISE SPECIFIED:		NAME	DATE
		DIMENSIONS ARE IN INCHES	DRAWN		
		TOLERANCES:	CHECKED		
		FRACTIONAL ±	ENG APPR.		
		ANGULAR: MACH ± BEND ±	MFG APPR.		
		TWO PLACE DECIMAL ±	Q.A.		
		THREE PLACE DECIMAL ±	COMMENTS:		
		INTERPRET GEOMETRIC TOLERANCING PER:			
		MATERIAL			
		FINISH			
NEXT ASSY	USED ON				

TITLE: Tape Layout		
SIZE A	DWG. NO. 2014 PVC	REV
SCALE: 1:48	WEIGHT:	SHEET 6 OF 11

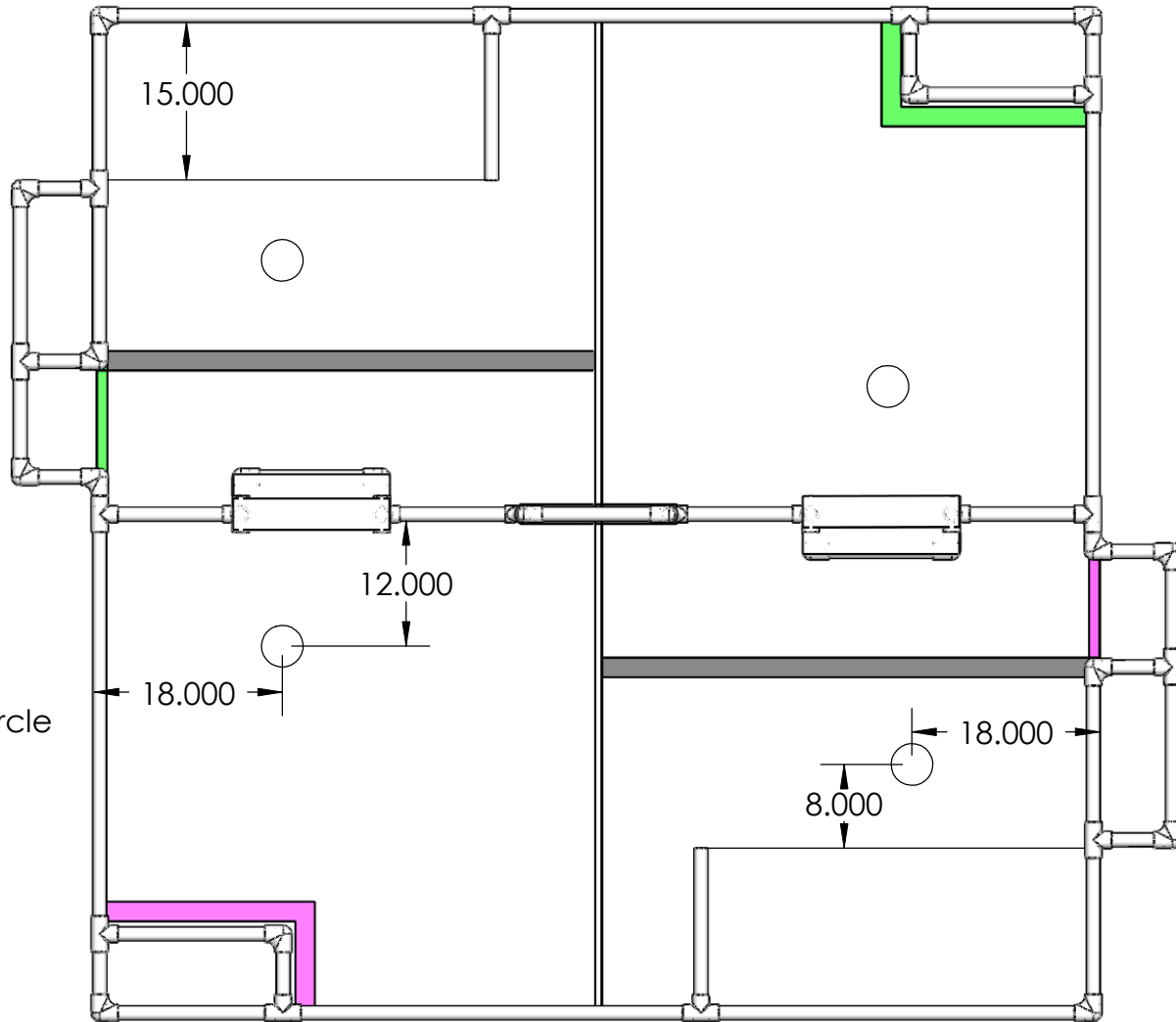
All plywood is 15" x 3" x 0.25" and is covered by the shelf template (the top and bottom shelves) or plain white paper (the back piece)

The paper will be covered and secured with clear packaging tape



PROPRIETARY AND CONFIDENTIAL
 THE INFORMATION CONTAINED IN THIS DRAWING IS THE SOLE PROPERTY OF <INSERT COMPANY NAME HERE>. ANY REPRODUCTION IN PART OR AS A WHOLE WITHOUT THE WRITTEN PERMISSION OF

		UNLESS OTHERWISE SPECIFIED:		NAME	DATE			
		DIMENSIONS ARE IN INCHES	DRAWN			TITLE: Plywood		
		TOLERANCES:	CHECKED					
		FRACTIONAL ±	ENG APPR.					
		ANGULAR: MACH ± BEND ±	MFG APPR.					
		TWO PLACE DECIMAL ±	Q.A.			SIZE	DWG. NO.	REV
		THREE PLACE DECIMAL ±	COMMENTS:			A	2014 PVC	
		INTERPRET GEOMETRIC TOLERANCING PER:				SCALE: 1:48	WEIGHT:	SHEET 7 OF 11
		MATERIAL						
		FINISH						
NEXT ASSY	USED ON							
		APPLICATION	DO NOT SCALE DRAWING					

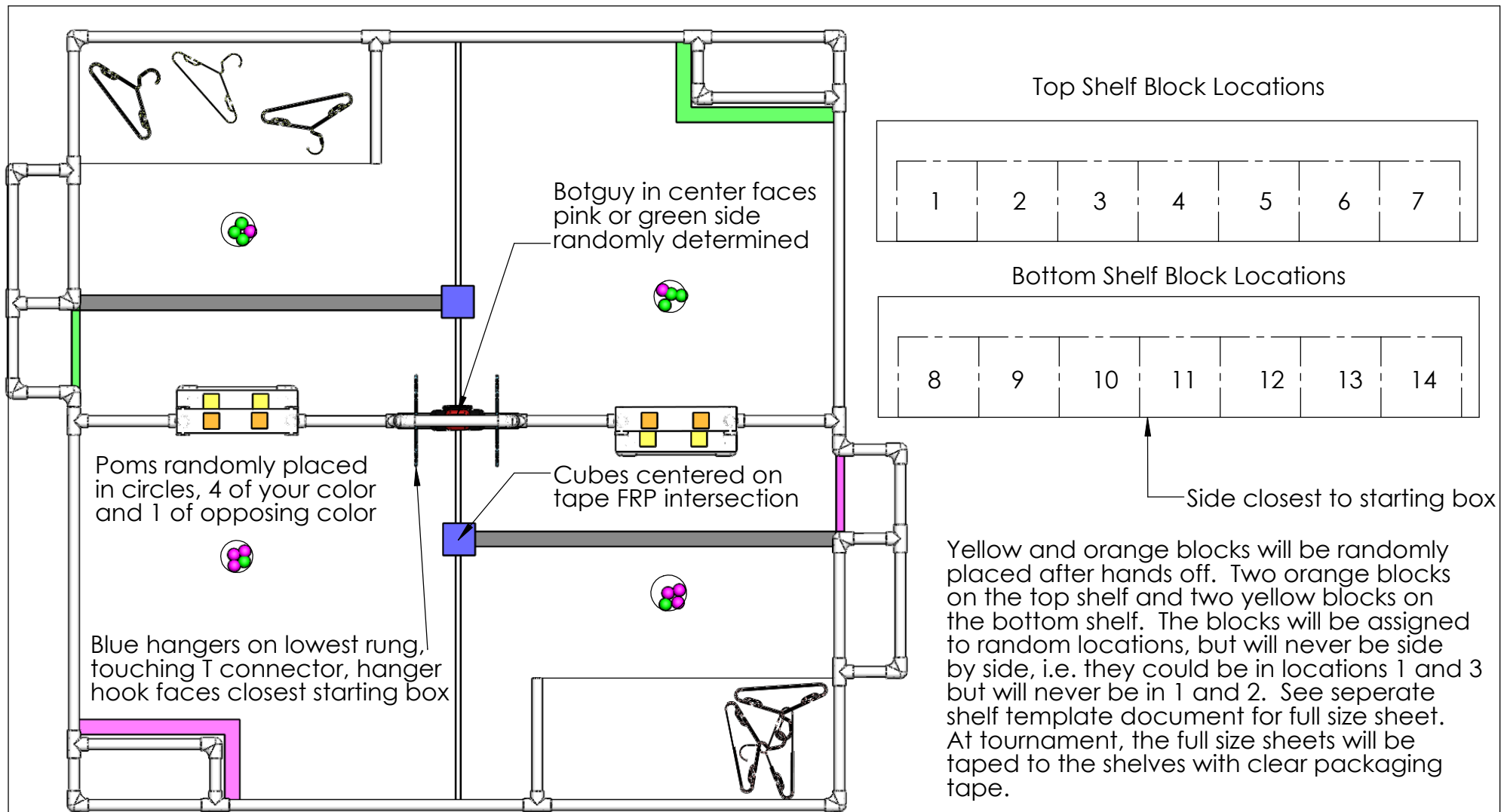


Circle Diameter is 4" and dimensions specify center of circle

		UNLESS OTHERWISE SPECIFIED:		NAME	DATE	
		DIMENSIONS ARE IN INCHES				TITLE: Pencil Marks
		TOLERANCES:	DRAWN			
		FRACTIONAL ±	CHECKED			
		ANGULAR: MACH ± BEND ±	ENG APPR.			
		TWO PLACE DECIMAL ±	MFG APPR.			
		THREE PLACE DECIMAL ±	Q.A.			
		INTERPRET GEOMETRIC TOLERANCING PER:	COMMENTS:			
		MATERIAL				SIZE DWG. NO. REV
		FINISH				A 2014 PVC
NEXT ASSY	USED ON					SCALE: 1:48 WEIGHT: SHEET 8 OF 11
	APPLICATION	DO NOT SCALE DRAWING				

PROPRIETARY AND CONFIDENTIAL
THE INFORMATION CONTAINED IN THIS DRAWING IS THE SOLE PROPERTY OF <INSERT COMPANY NAME HERE>. ANY REPRODUCTION IN PART OR AS A WHOLE WITHOUT THE WRITTEN PERMISSION OF

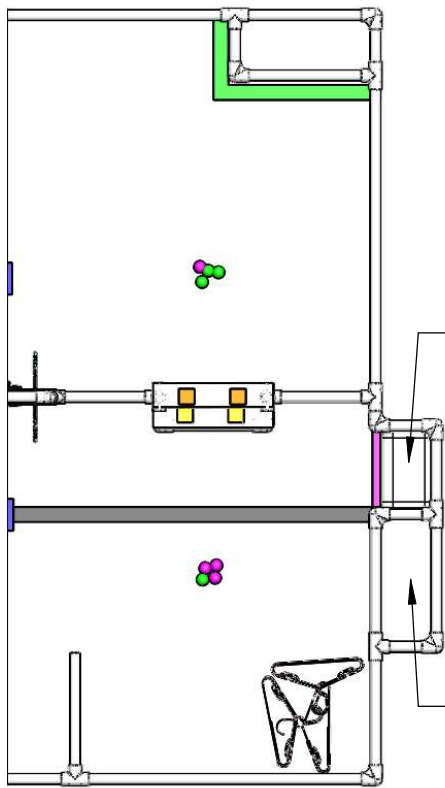
SolidWorks Student License
Academic Use Only



PROPRIETARY AND CONFIDENTIAL
 THE INFORMATION CONTAINED IN THIS DRAWING IS THE SOLE PROPERTY OF <INSERT COMPANY NAME HERE>. ANY REPRODUCTION IN PART OR AS A WHOLE WITHOUT THE WRITTEN PERMISSION OF

		UNLESS OTHERWISE SPECIFIED:	NAME	DATE
		DIMENSIONS ARE IN INCHES	DRAWN	
		TOLERANCES:	CHECKED	
		FRACTIONAL ±	ENG APPR.	
		ANGULAR: MACH ± BEND ±	MFG APPR.	
		TWO PLACE DECIMAL ±	Q.A.	
		THREE PLACE DECIMAL ±	COMMENTS:	
		INTERPRET GEOMETRIC TOLERANCING PER:		
		MATERIAL		
		FINISH		
NEXT ASSY	USED ON			
APPLICATION		DO NOT SCALE DRAWING		

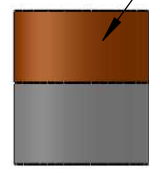
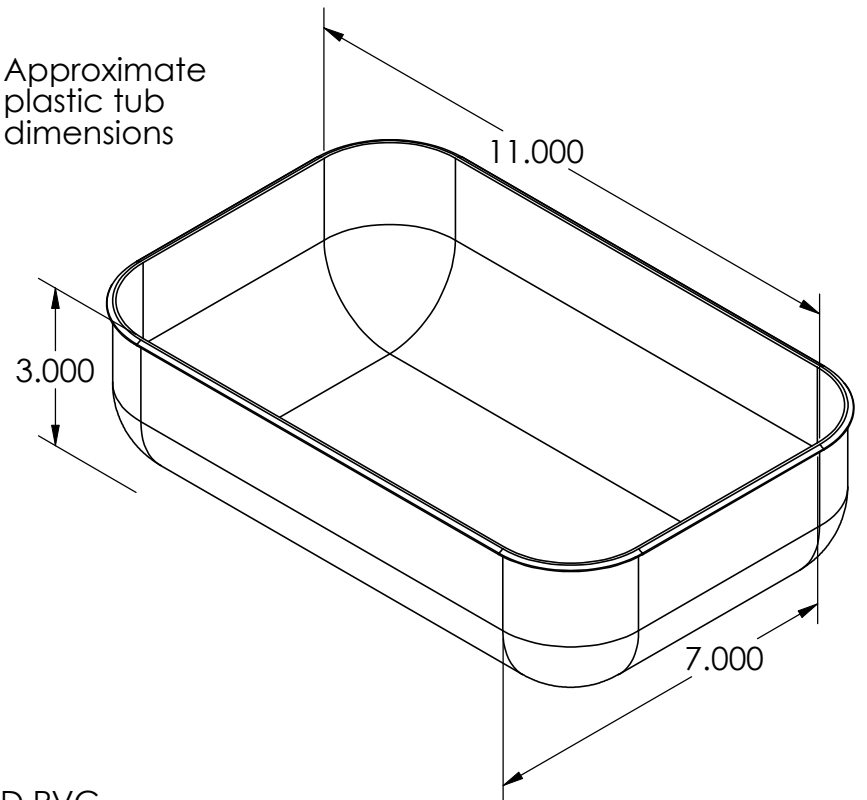
TITLE: Game Piece Layout		
SIZE A	DWG. NO. 2014 PVC	REV
SCALE: 1:48	WEIGHT:	SHEET 9 OF 11



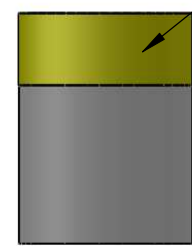
Plastic tub attached under PVC with screws

Foam Core, FRP or other flat surface attached to bottom of PVC

Approximate plastic tub dimensions



3" ID PVC Orange Duct Tape aligned with top



4" ID PVC Yellow Duct Tape aligned with top

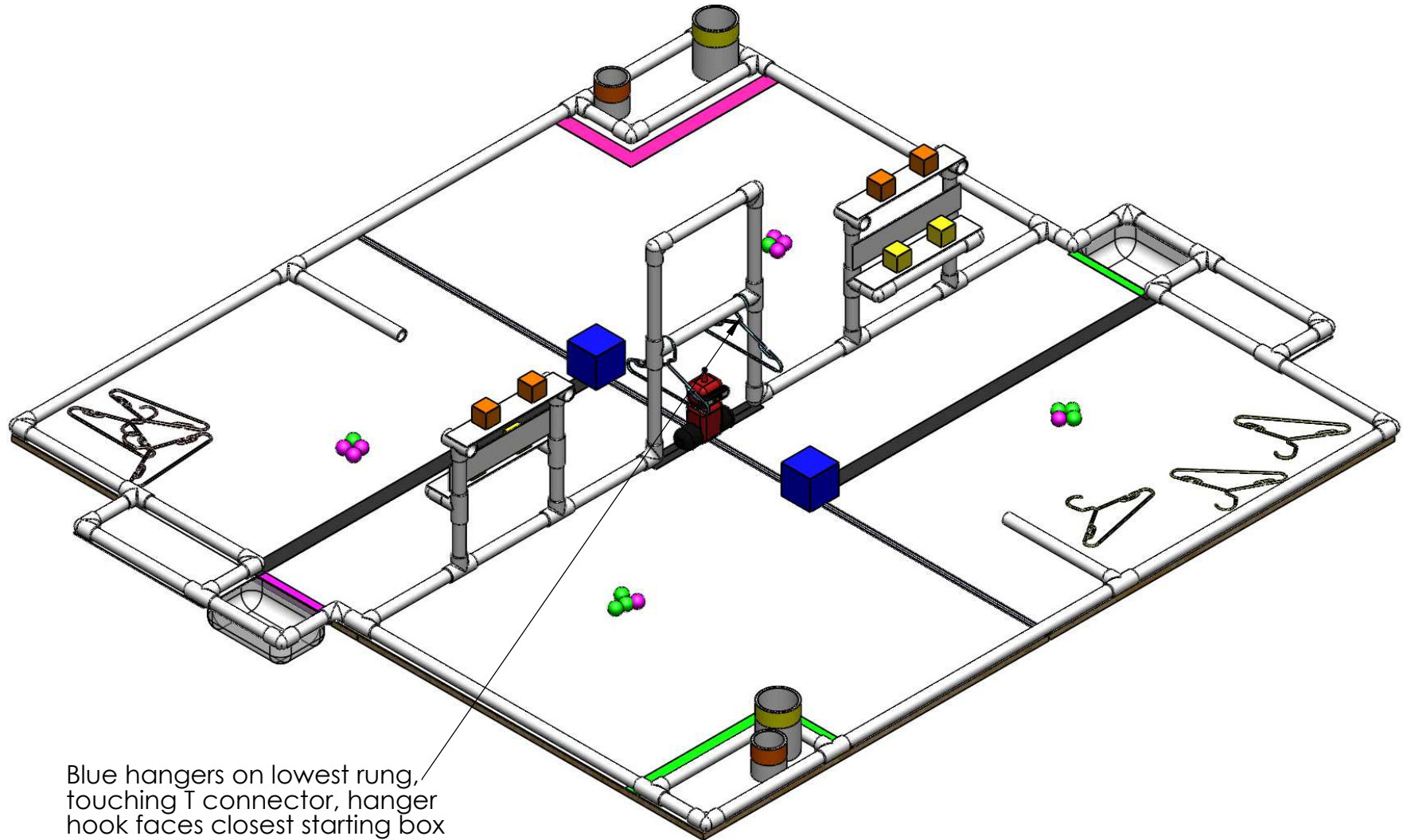
PROPRIETARY AND CONFIDENTIAL
THE INFORMATION CONTAINED IN THIS DRAWING IS THE SOLE PROPERTY OF <INSERT COMPANY NAME HERE>. ANY REPRODUCTION IN PART OR AS A WHOLE WITHOUT THE WRITTEN PERMISSION OF

		UNLESS OTHERWISE SPECIFIED:		NAME	DATE
		DIMENSIONS ARE IN INCHES	DRAWN		
		TOLERANCES:	CHECKED		
		FRACTIONAL ±	ENG APPR.		
		ANGULAR: MACH ± BEND ±	MFG APPR.		
		TWO PLACE DECIMAL ±	Q.A.		
		THREE PLACE DECIMAL ±	COMMENTS:		
		INTERPRET GEOMETRIC TOLERANCING PER:			
		MATERIAL			
		FINISH			
NEXT ASSY	USED ON				

TITLE: **Additional Notes**

SIZE **A** DWG. NO. **2014 PVC** REV

SCALE: 1:48 WEIGHT: SHEET 10 OF 11



Blue hangers on lowest rung, touching T connector, hanger hook faces closest starting box

PROPRIETARY AND CONFIDENTIAL
 THE INFORMATION CONTAINED IN THIS DRAWING IS THE SOLE PROPERTY OF <INSERT COMPANY NAME HERE>. ANY REPRODUCTION IN PART OR AS A WHOLE WITHOUT THE WRITTEN PERMISSION OF

		UNLESS OTHERWISE SPECIFIED:		NAME	DATE	TITLE: Done					
		DIMENSIONS ARE IN INCHES	DRAWN						SIZE	DWG. NO.	REV
		TOLERANCES:	CHECKED								
		FRACTIONAL ±	ENG APPR.						SCALE: 1:48	WEIGHT:	SHEET 11 OF 11
		ANGULAR: MACH ± BEND ±	MFG APPR.								
		TWO PLACE DECIMAL ±	Q.A.								
		THREE PLACE DECIMAL ±	COMMENTS:								
		INTERPRET GEOMETRIC TOLERANCING PER:									
		MATERIAL									
		FINISH									
NEXT ASSY	USED ON										
APPLICATION		DO NOT SCALE DRAWING									